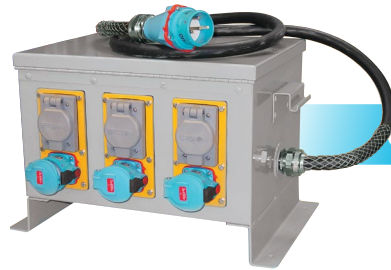


# POWER DISTRIBUTION



MELTRIC manufactures a wide variety of specialty products to fit specific application needs and to help users benefit from the advantages of MELTRIC Switch-Rated plugs and receptacles wherever connections may need to be made and broken.



**CUSTOM P. 145**

#### WIDE VARIETY OF PLATFORMS AND FEATURES

- Custom engineered
- Featuring Switch-Rated plugs and receptacles



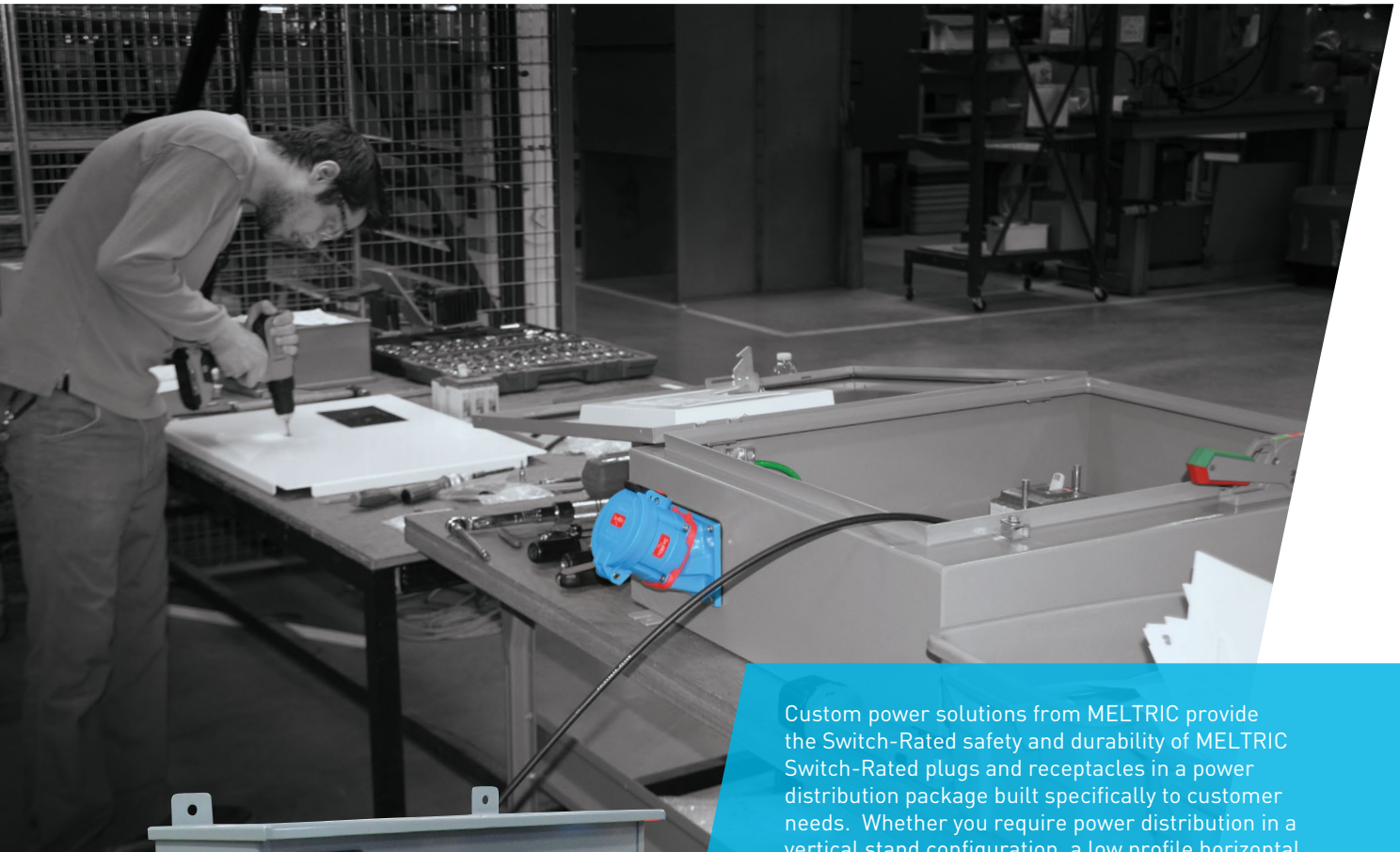
**RUBBER BOX P. 147**

#### PORTABLE RUBBER BOX PLATFORM

- Standard or custom configurations
- One, two, or three tier rubber boxes
- Featuring Switch-Rated plugs and receptacles

# CUSTOM

## Power Distribution



Custom power solutions from MELTRIC provide the Switch-Rated safety and durability of MELTRIC Switch-Rated plugs and receptacles in a power distribution package built specifically to customer needs. Whether you require power distribution in a vertical stand configuration, a low profile horizontal configuration, a custom configuration, or as a cordset, MELTRIC's engineering team can build a package to meet your needs.



### Available Features

- ▶ Ground Leakage Protection
- ▶ Color-Coded Enclosures
- ▶ Phase Indication
- ▶ Stainless Steel Enclosures
- ▶ 120V Convenience Outlet
- ▶ Rain Hoods
- ▶ Timers
- ▶ Pilot Circuits
- ▶ Wheel Kits
- ▶ Shunt Trips
- ▶ Under Voltage Trips
- ▶ Lifting Provisions
- ▶ Power Transformers

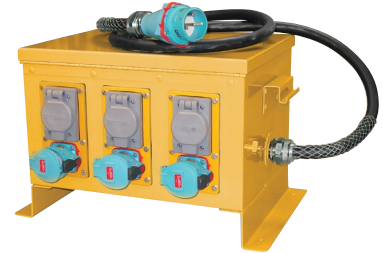
# COMMON PLATFORMS



**Custom Panel Solutions**



**Vertical Power**



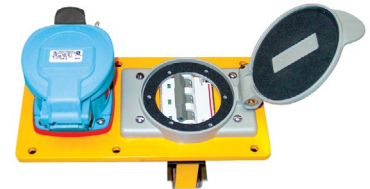
**Horizontal Multigang**



**Circuit Protected Receptacles**



**Cable Assembly**



**Breaker Plate Assembly**



**SB Enclosures**



**Rubber Box**

If you don't see what you are looking for, call MELTRIC @ 800-433-7642.

# Rubber Boxes Power Distribution

## UL Type 3R Enclosures

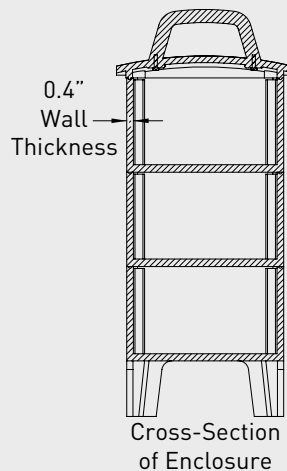
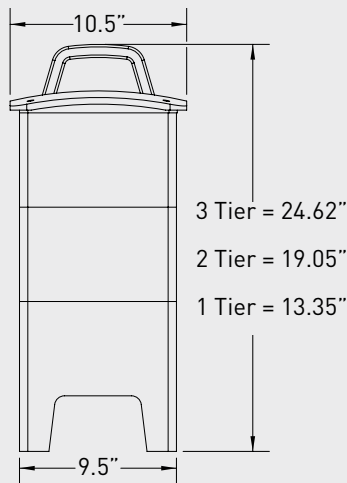


1 Tier

2 Tier

3 Tier

Choose from standard configurations on page 148-150 or contact MELTRIC at 800-433-7642 for customized configurations.



Power Input up to 100 A, 480 VAC. Choose a mounted inlet or a cord and plug.



Mounted Inlet



Cord and Plug

## Power Receptacles



Room for (2) DSN60 (or smaller) receptacles per side per tier.

## Circuit Protection



Room for up to (10) poles of standard MCB's (mini circuit breakers) per tier.  
**Note:** All configurations use UL489 circuit breakers except 60 A at 480 VAC, which comes with UL 1077 breakers.

## Convenience Outlets



Room for (2) Type 5-20R duplex receptacles per side per tier or choose other convenience outlets.

# 1 TIER RUBBER POWER DISTRIBUTION BOXES

## Configuration T1-C1

**Note:** Configuration shown requires sharing of circuit protection devices.



Side 1

(2) DSN Receptacles



Side 2

(2) 3 Pole MCB's



Side 3

(2) DSN Receptacles



Side 4

(1) Inlet

Voltage	Contacts	Part #: Configuration T1-C1-20 A 20 A DSN Recepts & 30 A DSN Inlet	Part #: Configuration T1-C1-30 A 30 A DSN Recepts & 60 A DSN Inlet	Part #: Configuration T1-C1-60 A 60 A DSN Recepts & 100 A DS100C Inlet
120 208 V	3P+N+G	RBT1-C1-167-20A	RBT1-C1-167-30A	RBT1-C1-167-60A
125 250 V	3P+N+G	RBT1-C1-077-20A	RBT1-C1-077-30A	RBT1-C1-077-60A
480 V	3P+G	RBT1-C1-043-20A	RBT1-C1-043-30A	RBT1-C1-043-60A

## Configuration T1-C2



Side 1

(1) DSN Receptacle  
(1) 20 A Type 5-20 Duplex GFCI



Side 2

(2) 3 Pole MCB's  
(2) 20 A 1 Pole MCB's



Side 3

(1) DSN Receptacle  
(1) 20 A Type 5-20 Duplex GFCI



Side 4

(1) Inlet

Voltage	Contacts	Part #: Configuration T1-C2-20 A 20 A DSN Recepts & 30 A DSN Inlet	Part #: Configuration T1-C2-30 A 30 A DSN Recepts & 60 A DSN Inlet	Part #: Configuration T1-C2-60 A 60 A DSN Recepts & 100 A DS100C Inlet
120 208 V	3P+N+G	RBT1-C2-167-20A	RBT1-C2-167-30A	RBT1-C2-167-60A
125 250 V	3P+N+G	RBT1-C2-077-20A	RBT1-C2-077-30A	RBT1-C2-077-60A

## Configuration T1-C3

**Note:** Configuration requires sharing of circuit protection devices.



Side 1

(1) DSN 30 A Receptacle  
(1) DSN 20 A Receptacle



Side 2

(2) 30 A 3 Pole MCB  
(1) 20 A 3 Pole MCB



Side 3

(1) DSN 30 A Receptacle  
(1) DSN 20 A Receptacle



Side 4

(1) DSN 60 A Inlet

Voltage	Contacts	Part #: Configuration T1-C3 20/30 A DSN Recepts & 60 A DSN Inlet
120 208 V	3P+N+G	RBT1-C3-167
125 250 V	3P+N+G	RBT1-C3-077A
480 V	3P+G	RBT1-C3-043

\* Ampacity ratings of MCB's match the receptacles they protect.

# 2 TIER RUBBER POWER DISTRIBUTION BOXES

## Configuration T2-C1



Side 1

- (1) DSN 20 A Receptacle
- (1) DSN 30 A Receptacle
- (1) DSN 60 A Receptacle



Side 2

- (2) 20 A 3 Pole MCB's
- (2) 30 A 3 Pole MCB's
- (2) 60 A 3 Pole MCB's
- (2) 20 A 1 Pole MCB's



Side 3

- (1) DSN 20 A Receptacle
- (1) DSN 30 A Receptacle
- (1) DSN 60 A Receptacle



Side 4

- (2) 20 A Type 5-20 Duplex GFCI
- (1) DS100C 100 A Inlet

Voltage		Contacts	Part #: Configuration T2-C1 20/30/60 A DSN Recepts & 100 A DS100C Inlet
120	208 V	3P+N+G	RBT2-C1-167
125	250 V	3P+N+G	RBT2-C1-077

## Configuration T2-C2

**Note:** Configuration shown requires sharing of circuit protection devices.



Side 1

- (4) DSN Receptacles



Side 2

- (4) 3 Pole MCB's
- (2) 20 A 1 Pole MCB's



Side 3

- (4) DSN Receptacles



Side 4

- (2) 20 A Type 5-20 Duplex GFCI
- (1) DS100C 100 A Inlet

Voltage	Contacts	Part #: Configuration T2-C2-20 A 20 A DSN Recepts & 100 A DS100C Inlet	Part #: Configuration T2-C2-30 A 30 A DSN Recepts & 100 A DS100C Inlet
		120	208 V
125	250 V	RBT2-C2-077-20A	RBT2-C2-077-30A

\* Ampacity ratings of MCB's match the receptacles they protect.

# 3 TIER RUBBER POWER DISTRIBUTION BOXES

## Configuration T3-C1



Side 1

- (1) 20 A Type 5-20 Duplex GFCI
- (2) DSN 20 A Receptacles
- (2) DSN 30 A Receptacles



Side 2

- (6) 20 A 1 Pole MCB's
- (4) 20 A 3 Pole MCB's
- (4) 30 A 3 Pole MCB's



Side 3

- (1) 20 A Type 5-20 Duplex GFCI
- (2) DSN 20 A Receptacles
- (2) DSN 30 A Receptacles



Side 4

- (2) 20 A Type 5-20 Duplex GFCI
- (2) 20 A Type 5-20 Duplex GFCI
- (1) DS100C 100 A Inlet

Voltage		Contacts	Part #: Configuration T3-C1 20 & 30 A DSN Recepts & 100 A DS100C Inlet
120	208 V	3P+N+G	RBT3-C1-167
125	250 V	3P+N+G	RBT3-C1-077

## Configuration T3-C2

*Note:* Configuration shown requires sharing of circuit protection devices.



Side 1

- (4) DSN Receptacles
- (1) DSN60 Receptacle



Side 2

- (2) 3 Pole MCB's
- (4) 20 A 1 Pole MCB's



Side 3

- (4) DSN Receptacle
- (1) DSN60 Receptacle



Side 4

- (4) 20 A Type 5-20 Duplex GFCI
- (1) Inlet

Voltage		Contacts	Part #: Configuration T3-C2-20 A 20 A & 60 A DSN Recepts & 100 A DS100C Inlet	Part #: Configuration T3-C2-30 A 30 A & 60 A DSN Recepts & 100 A DS100C Inlet
120	208 V	3P+N+G	RBT3-C2-167-20A	RBT3-C2-167-30A
125	250 V	3P+N+G	RBT3-C2-077-20A	RBT3-C2-077-30A

\* Ampacity ratings of MCB's match the receptacles they protect.